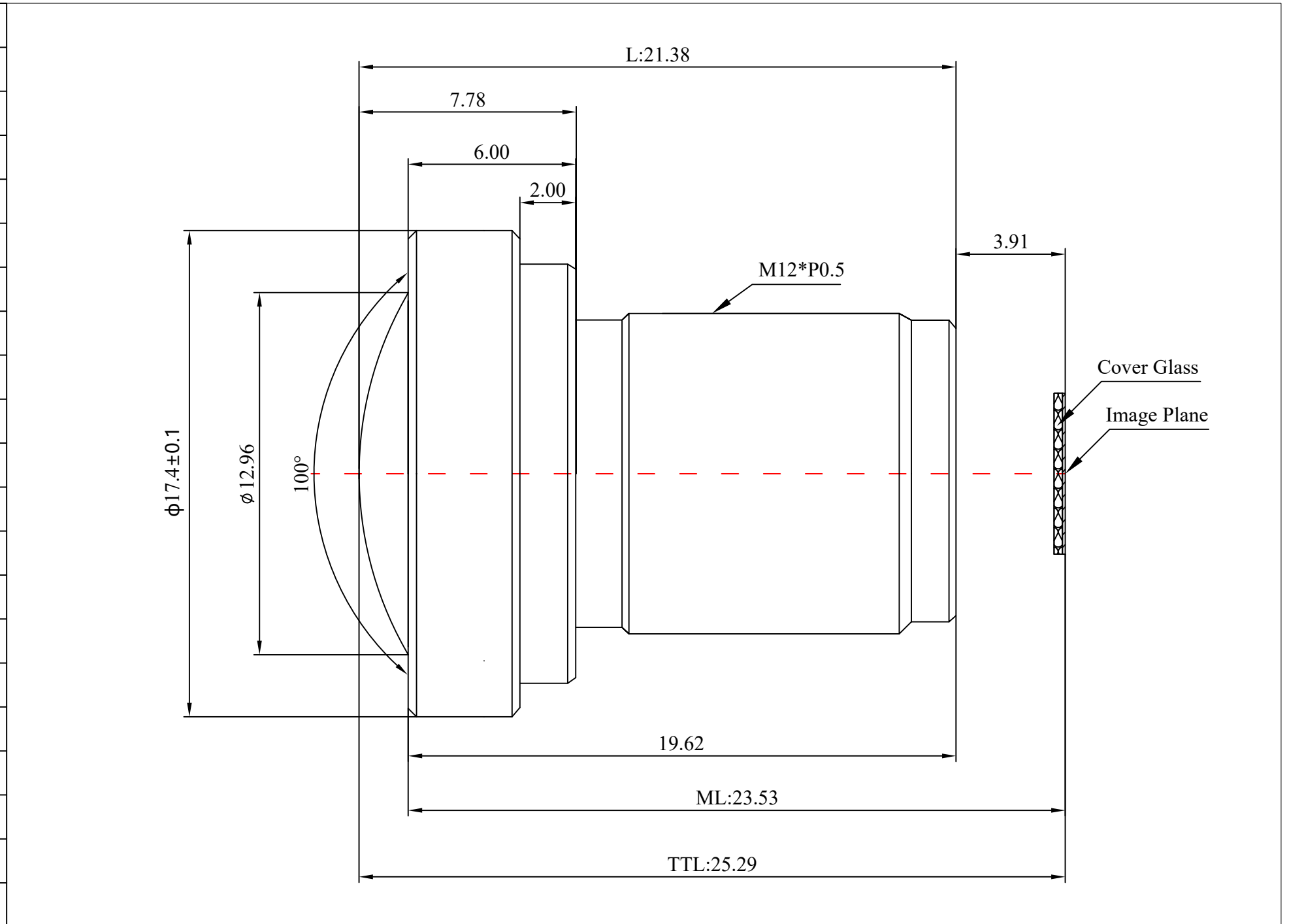


1	Type	Low Distortion Lens	
2	Resolution	16MP	
3	Image Format	1/2.3" & 1/2.5"	
4	Image Circle	φ8.0mm(MAX)	
5	EFL	2.7mm	
6	TTL	25.29mm	
7	F/NO.	2.8	
8	FFL (M)	3.91mm	
9	BFL (O)	5.93mm	
10	For Sensor	IMX377	IMX577
11	F.O.V	Horizontal	77°
12		Vertical	61.1°
13		Diagonal	87.7°
14	TV Distortion	<-1%	<-1.5%
15	Relative Ill.	>78%	>79%
16	Chief Ray Angle	<10°	<10.2°
17	M.O.D	0.1m~∞	
18	Mount Type	M12*P0.5	
19	Dimension Figure	φ17.4*L21.38mm	
20	Lens Structure	4G+2GM	
21	IR-Filter	T = 50% 650±10nm	



22	Weight	6.9g	Scale	Remark	Tolerances	Date	Revised		福州创安光电科技有限公司 FUZHOU CHUANGAN OPTICS CO., LTD
23	Iris Operation	Fixed		4: 1	X	± 0.2	2019-05-04	CH1117B Rev1.0	
24	Zoom Operation	Fixed	Units		X.0	± 0.15			
25	Focus Operation	Manual		mm	X.00	± 0.10	Design	Linda	2017-06-11
26	Operating Temperature	-20° ~+85°	X.000		± 0.001	Checked	Anna	2017-08-12	
27	Storage Temperature	-20° ~+85°	Angle	± 0.5°	Approval	Sanmu	2017-08-15		

