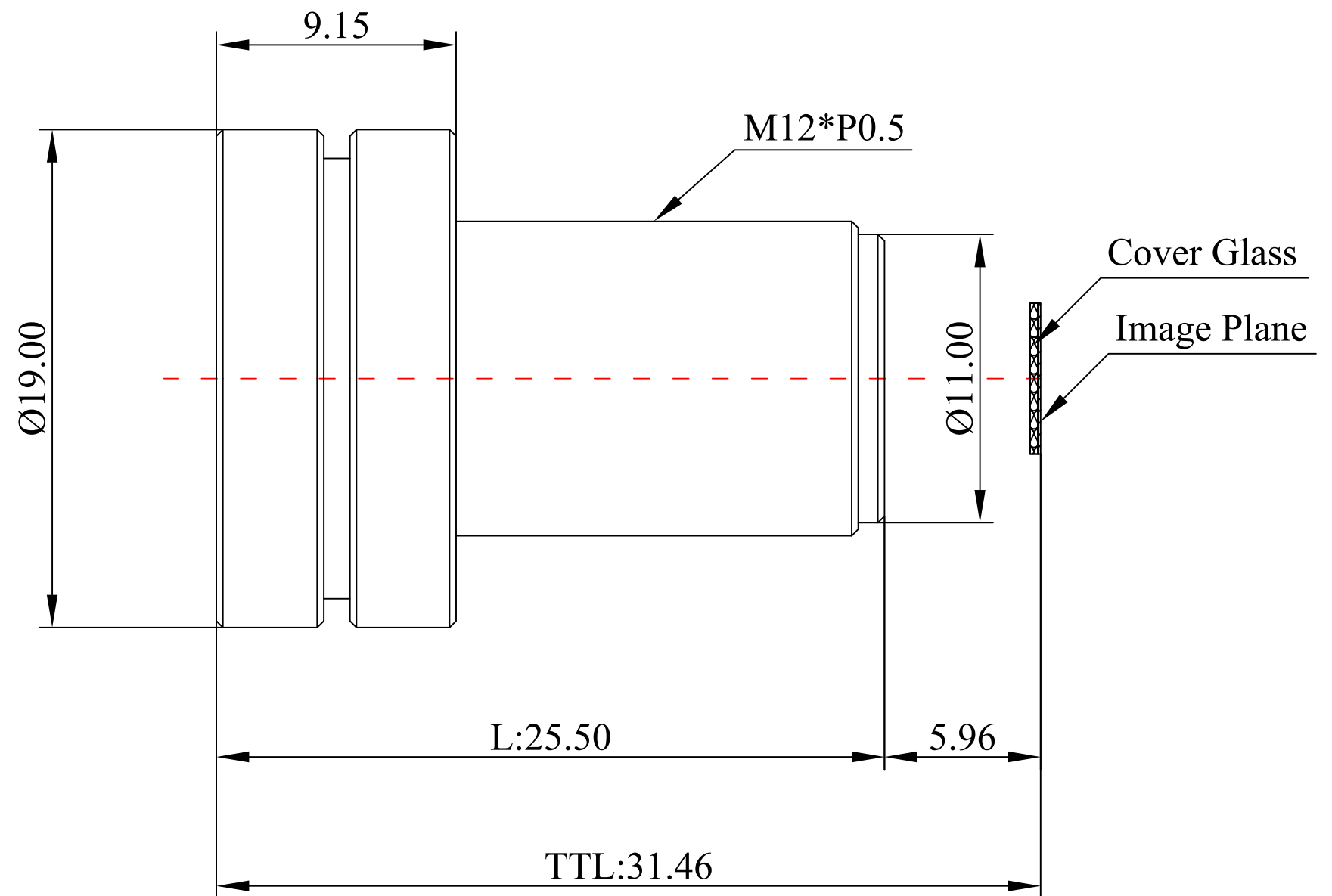
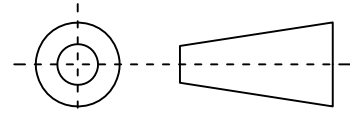


1	Type	Low Distortion Lens			
2	Resolution	8MP			
3	Image Format	1/2.3"			
4	Image Circle	φ8.0mm(V-MAX)			
5	EFL	7.2mm			
6	TTL	31.46mm			
7	F/NO.	2.5			
8	FFL (M)	5.96mm			
9	BFL (O)	6.8mm			
10	For Sensor	1/2.3"	1/2.5"	1/2.8"	
11	F.O.V	Horizontal	50.6°	50.1°	45.5°
12		Vertical	38.6°	29.5°	26.5°
13		Diagonal	61.4°	56.4°	51.6°
14	TV Distortion	<-2%			
15	Relative Ill.	---			
16	Chief Ray Angle	<14°			
17	M.O.D	0.3m~∞			
18	Mount Type	M12*P0.5			
19	Dimension Figure	φ19.00*L25.50mm			
20	Lens Structure	10G			
21	IR-Filter	T=50%&IR650±10nm			
22	Waterproof	No			
23	Weight	10.5g			
24	Iris Operation	Fixed			
25	Zoom Operation	Fixed			
26	Focus Operation	Manual			
27	Operating Temperature	-20° ~+85°			
28	Storage Temperature	-20° ~+85°			



Scale	Remark	Tolerances	Date	Revised		福州创安光电科技有限公司 FUZHOU CHUANGAN OPTICS CO., LTD
4:1	X	±0.2	2022-03-31	CH1106CB Rev1.0		
	X.0	±0.15				
Units	X.00	±0.10	Design	Linda	2022-01-29	 3D Angle Projection
	X.000	±0.001	Checked	Anna	2022-03-20	
mm	Angle	±0.5°	Approval	Sanmu	2022-03-24	