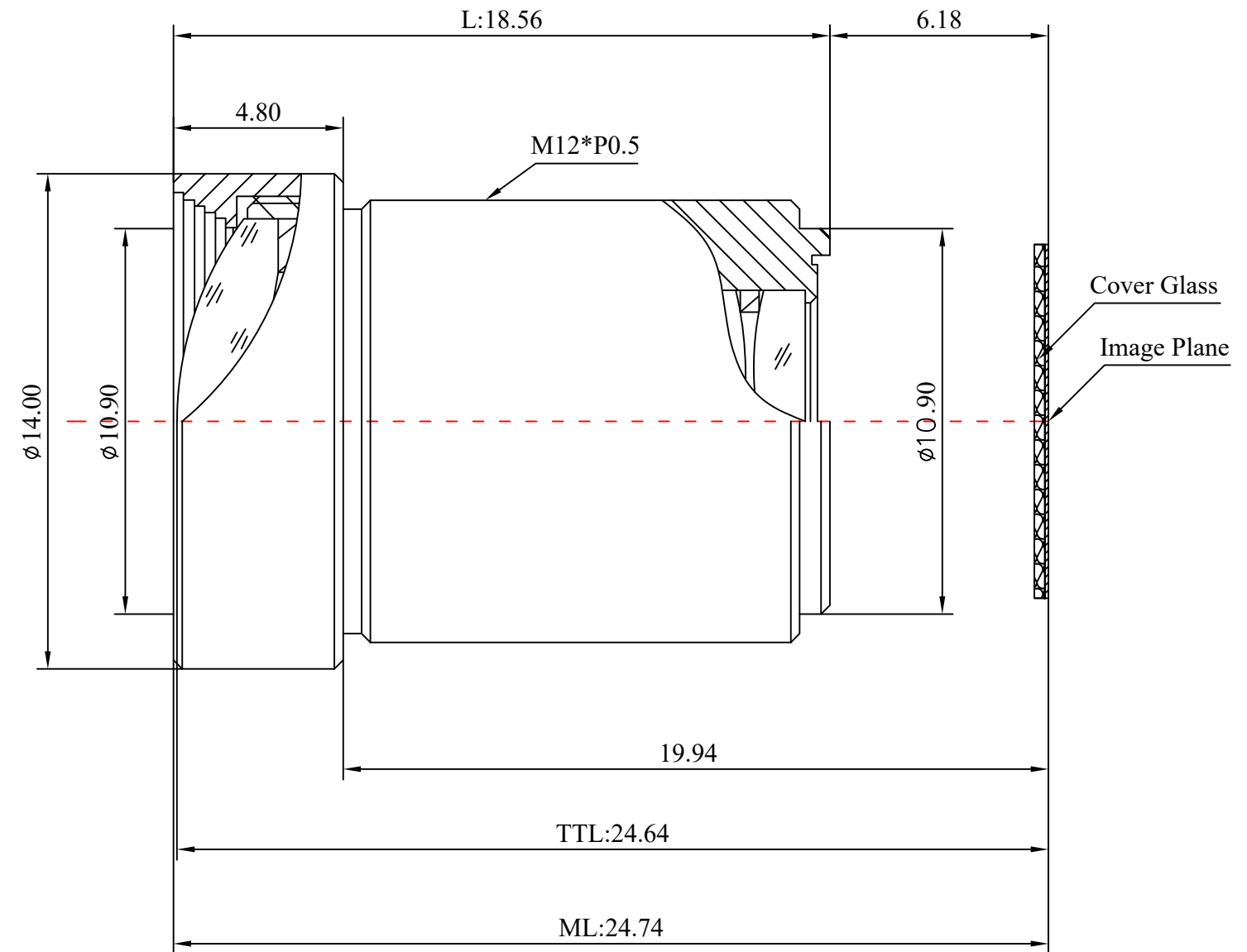


1	Type	Low Distortion Lens	
2	Resolution	12MP	
3	Image Format	1/2.3"	
4	Image Circle	φ8.0mm(MAX)	
5	EFL	5.4mm	
6	TTL	24.64mm	
7	F/NO.	2.8	
8	FFL (M)	6.00mm	
9	BFL (O)	6.72mm	
10	For Sensor	1/2.3"	IMX415
11	F.O.V	Horizontal	60.4°
12		Vertical	32°
13		Diagonal	72.4°
14	TV Distortion	<-3%	
15	Relative Ill.	>40%	
16	Chief Ray Angle	<11.8°	
17	M.O.D	0.1m~∞	
18	Mount Type	M12*P0.5	
19	Dimension Figure	φ14.00*L18.56mm	
20	Lens Structure	9G	
21	IR-Filter	Non-IR	
22	Weight	6.5g	
23	Iris Operation	Fixed	
24	Zoom Operation	Fixed	
25	Focus Operation	Manual	
26	Operating Temperature	-20° ~+85°	
27	Storage Temperature	-20° ~+85°	



Scale	Remark	Tolerances	Date	Revised		福州创安光电科技有限公司 FUZHOU CHUANGAN OPTICS CO., LTD
4: 1	X	± 0.2	2021-09-07	CH1104E Rev1.0		
	X.0	± 0.15				
Units	X.00	± 0.10	Design	Linda	2021-04-01	
	X.000	± 0.001	Checked	Anna	2021-05-12	
mm	Angle	± 0.5°	Approval	Sanmu	2021-07-13	

