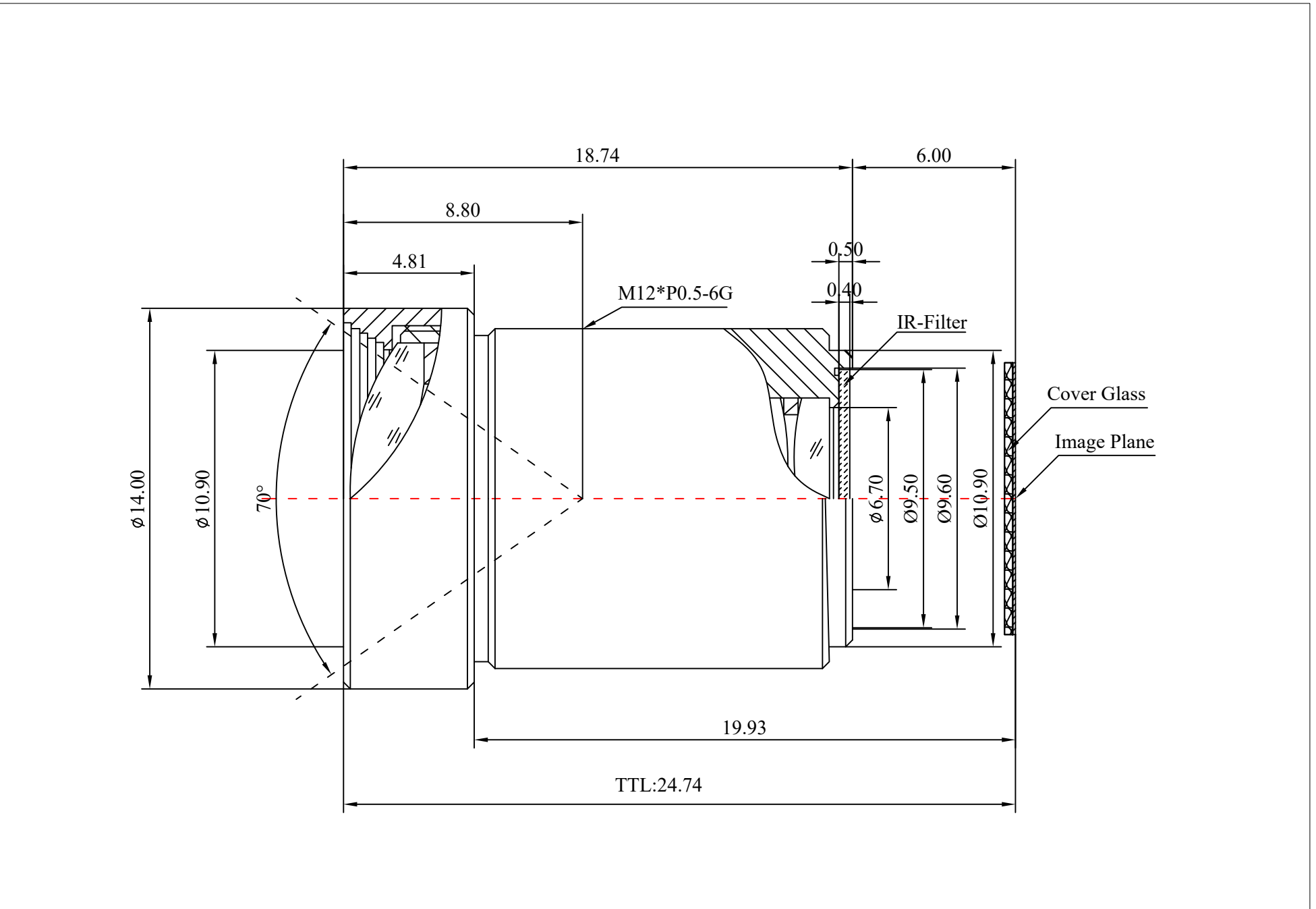


1	Type	Low Distortion Lens	
2	Resolution	10MP	
3	Image Format	1/2.3"	
4	Image Circle	φ8.0mm(MAX)	
5	EFL	5.4mm	
6	TTL	24.74mm	
7	F/NO.	2.8	
8	FFL (M)	6.00mm	
9	BFL (O)	6.60mm	
10	For Sensor	1/2.3"	1/3"
11	F.O.V	Horizontal	60°
12		Vertical	46°
13		Diagonal	70°
14	TV Distortion	<-1.2%	
15	Relative Ill.	>45%	
16	Chief Ray Angle	<9.8°	
17	M.O.D	0.1m~∞	
18	Mount Type	M12*P0.5	
19	Dimension Figure	φ14.00*L18.74mm	
20	Lens Structure	8G	
21	IR-Filter	T=50%&IR650±10nm	
22	Weight	6.5g	
23	Iris Operation	Fixed	
24	Zoom Operation	Fixed	
25	Focus Operation	Manual	
26	Operating Temperature	-20° ~+85°	
27	Storage Temperature	-20° ~+85°	



Remark: 刻字 5.4mm 1/2.3" IR MP -10

Scale	Remark	Tolerances	Date	Revised		福州创安光电科技有限公司 FUZHOU CHUANGAN OPTICS CO., LTD
4: 1	X	± 0.2	2019-07-09	CH1104AB Rev1.0		
	X.0	± 0.15				
Units	X.00	± 0.10	Design	Linda	2015-01-15	
	X.000	± 0.001	Checked	Anna	2015-03-15	
mm	Angle	± 0.5°	Approval	Sanmu	2015-03-18	

