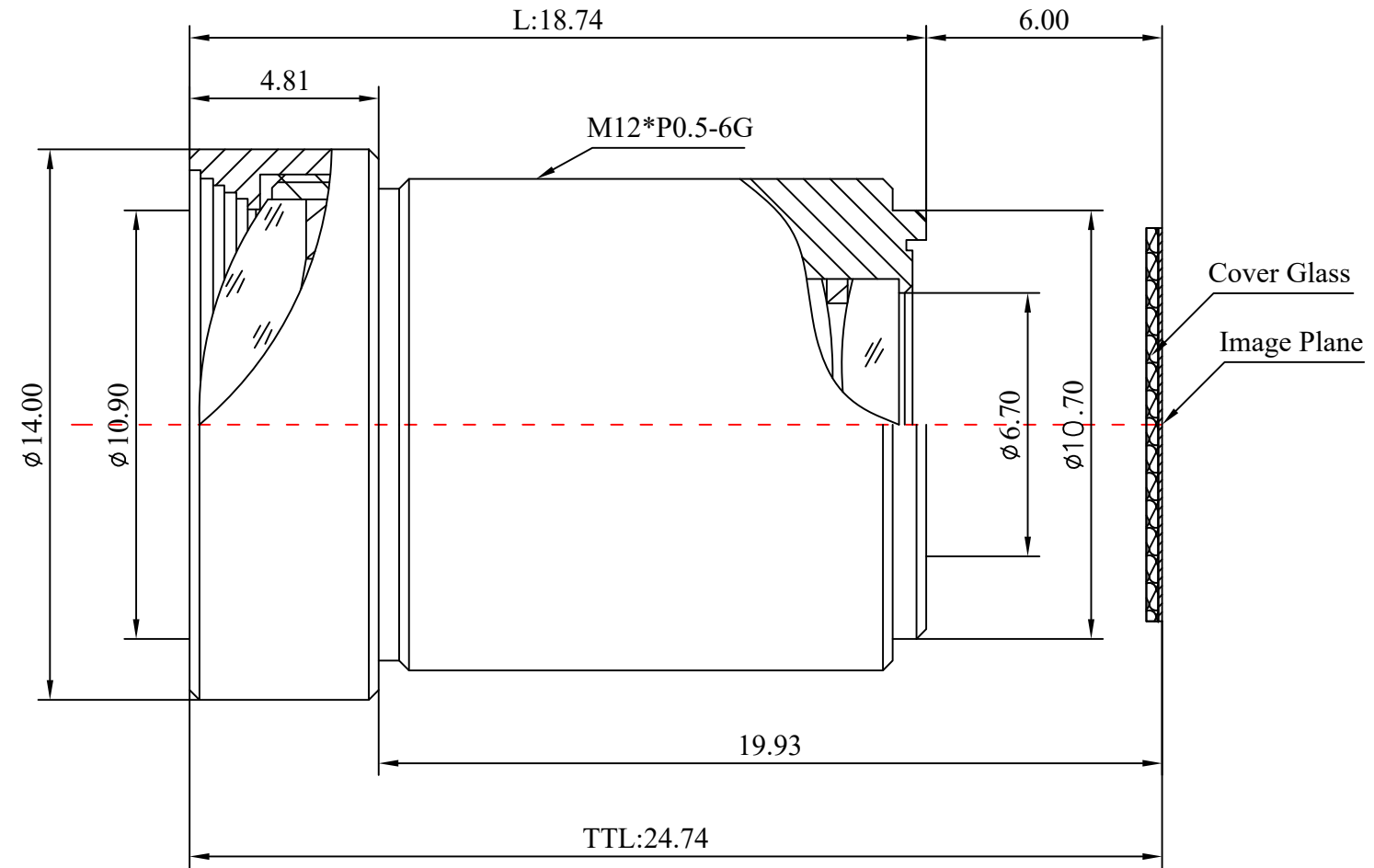


1	Type	Low Distortion Lens		
2	Resolution	10MP		
3	Image Format	1/2.3"		
4	Image Circle	φ8.0mm(MAX)		
5	EFL	5.4mm		
6	TTL	24.74mm		
7	F/NO.	2.8		
8	FFL (M)	6.00mm		
9	BFL (O)	6.60mm		
10	For Sensor	1/2.3"	1/3"	
11	F.O.V	Horizontal	60°	58°
12		Vertical	46°	38°
13		Diagonal	70°	61°
14	TV Distortion	< -1.2%		
15	Relative Ill.	>45%		
16	Chief Ray Angle	<9.8°		
17	M.O.D	0.1m~∞		
18	Mount Type	M12*P0.5		
19	Dimension Figure	φ14.00*L18.74mm		
20	Lens Structure	8G		
21	IR-Filter	No IR		
22	Weight	6.5g		
23	Iris Operation	Fixed		
24	Zoom Operation	Fixed		
25	Focus Operation	Manual		
26	Operating Temperature	-20° ~+85°		
27	Storage Temperature	-20° ~+85°		



Remark: 刻字 5.4mm 1/2.3" IR CUT MP -10

Scale	Remark	Tolerances	Date	Revised		福州创安光电科技有限公司 FUZHOU CHUANGAN OPTICS CO., LTD
4: 1	X	± 0.2	2023-12-18	CH1104A Rev1.1		
	X.0	± 0.15				
Units	X.00	± 0.10	Design	Linda	2015-01-15	
	X.000	± 0.001	Checked	Anna	2015-03-15	
mm	Angle	± 0.5°	Approval	Sanmu	2015-03-18	

