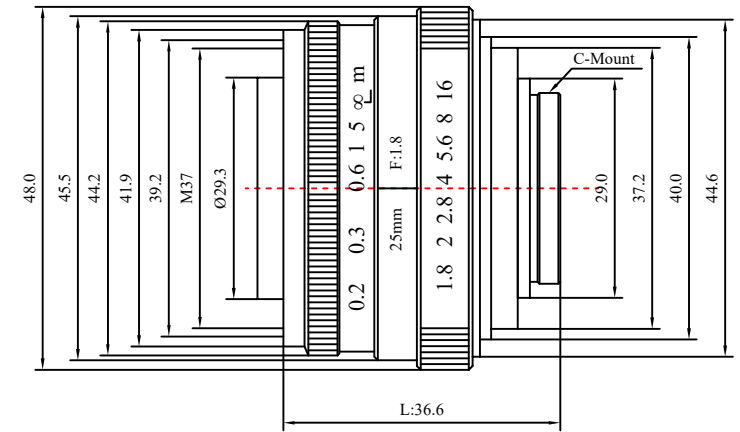
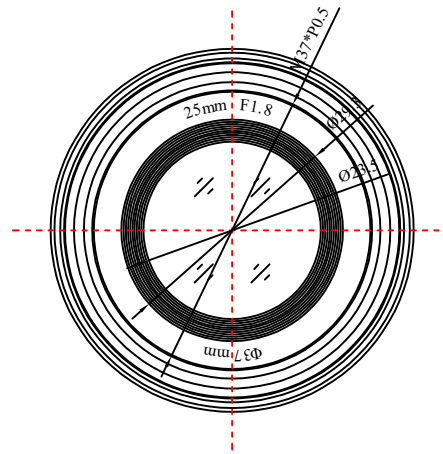




# PRODUCT: CH011A

1	Product Name	Mirrorless Camera Lens	
2	Focal Length	35mm	
3	Aperture	F1.6~F16	
4	Operation	Iris	Manual
		Focus	Manual
		Zoom	Fixed
7	Distortion	<5%	
8	Minimum Object Distance	30cm ~ ∞	
9	Horizontal Angle of View	18°	
10	Lens Structure	4G4E	
11	Coating	MC Multi-Layer Coating	
12	Diaphragm	12 Blades	
13	Image Stabilization	NO	
14	Image Format	2/3"	
15	Color	Black	
16	Hood	37mm	
17	Filter Thread	M37	



18	Material	Metal	Scale	Remark	Tolerances	Date	Revised	
19	Mount Type	C		4:1	X	±0.2	2019-08-21	CH011A Rev1.0
20	Application	All Mirrorless Camera	Units	X.0	±0.15	Design	Linda	2017-03-14
21	Dimension	Φ48.0 * L36.6mm		X.000	±0.001		Checked	Anna
22	Weight	102g	mm	Angle	±0.5°	Approval	Sanmu	2017-06-15

福州创安光电科技有限公司  
FUZHOU CHUANGAN OPTICS CO., LTD

